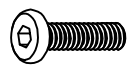



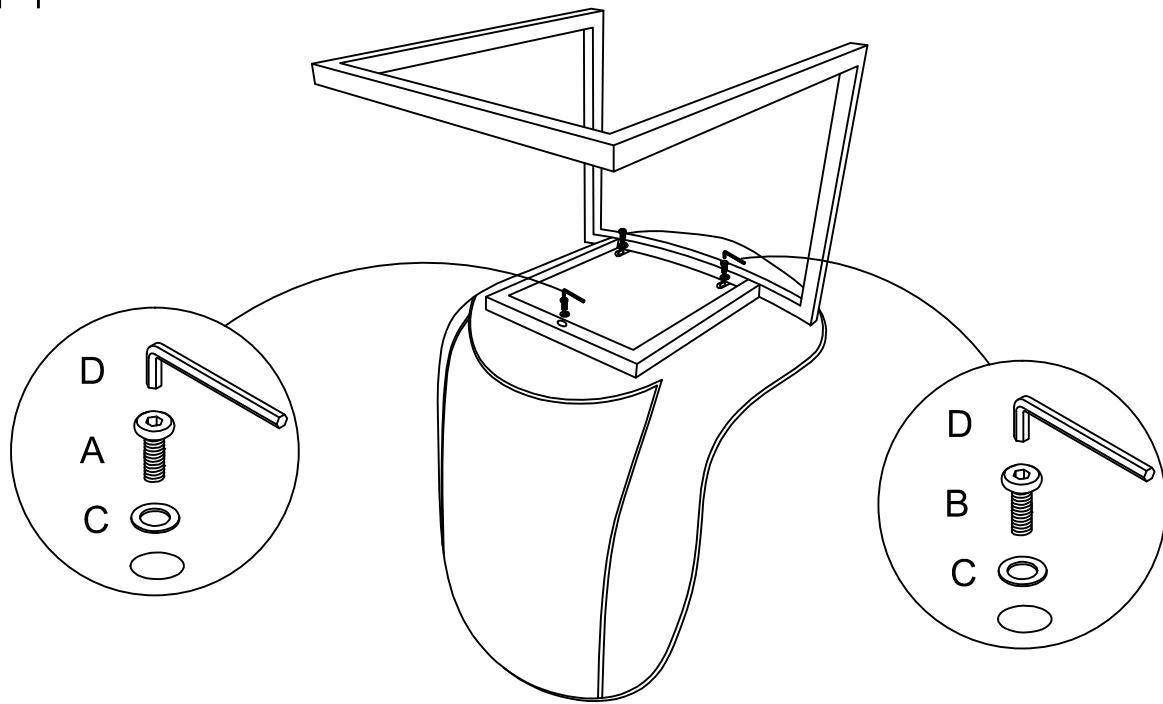


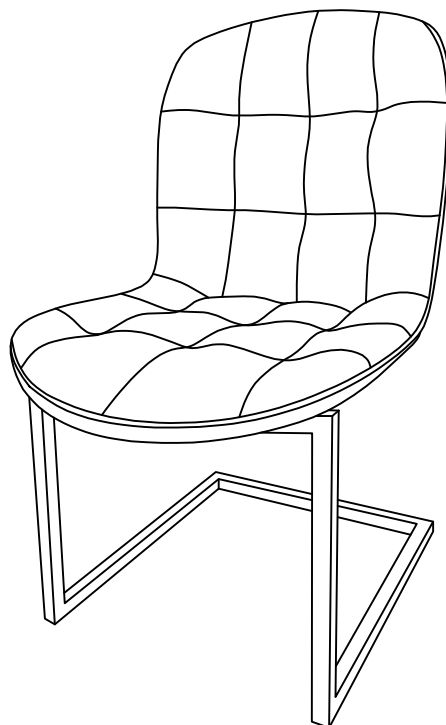
ASSEMBLY INSTRUCTION

<p>A</p>  <p>M6x40 x1</p>	<p>B</p>  <p>M6x20 x2</p>	<p>C</p>  <p>M6 x3</p>	<p>D</p>  <p>x1</p>			
---	---	--	---	--	--	--

STEP 1



STEP 2



NOTE

- ① "Before you tight all screws. Please make sure all the screws in the right holes/positions."
- ② "If negative, please release the screws to adjust it to right position and tight them."