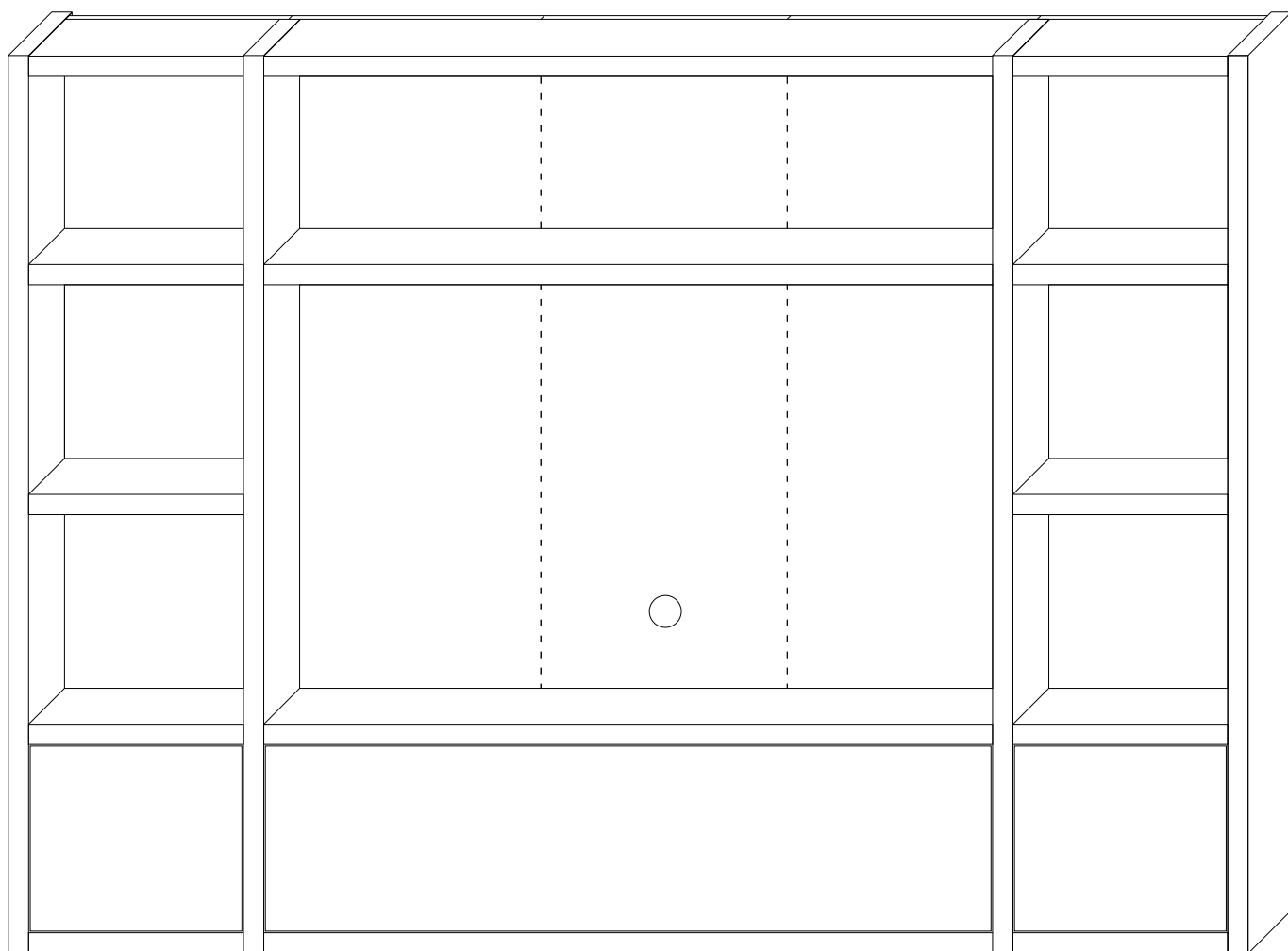
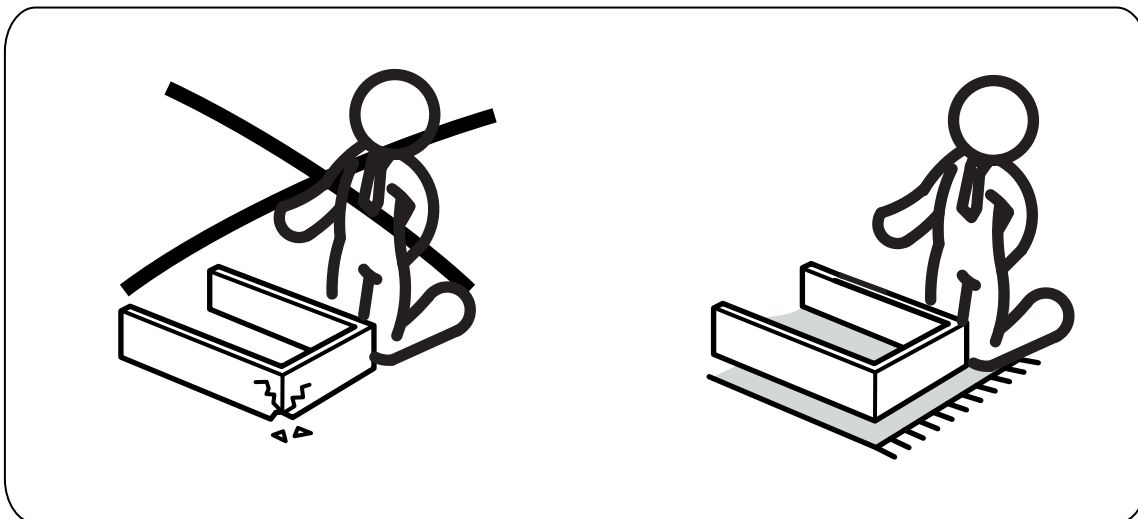
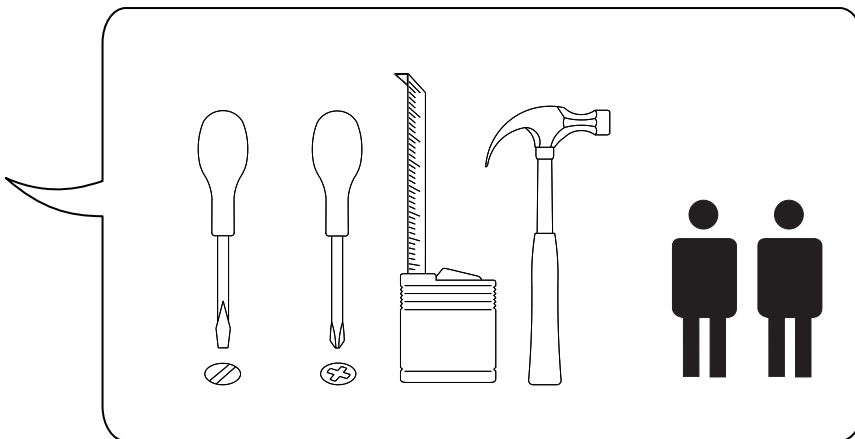
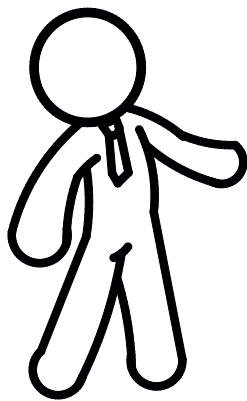






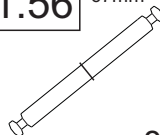
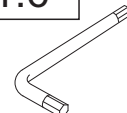
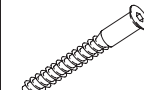
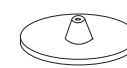
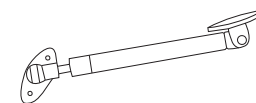
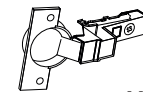
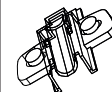
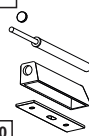
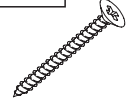
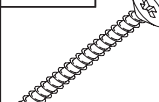
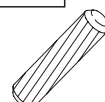

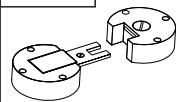

Assembly instructions

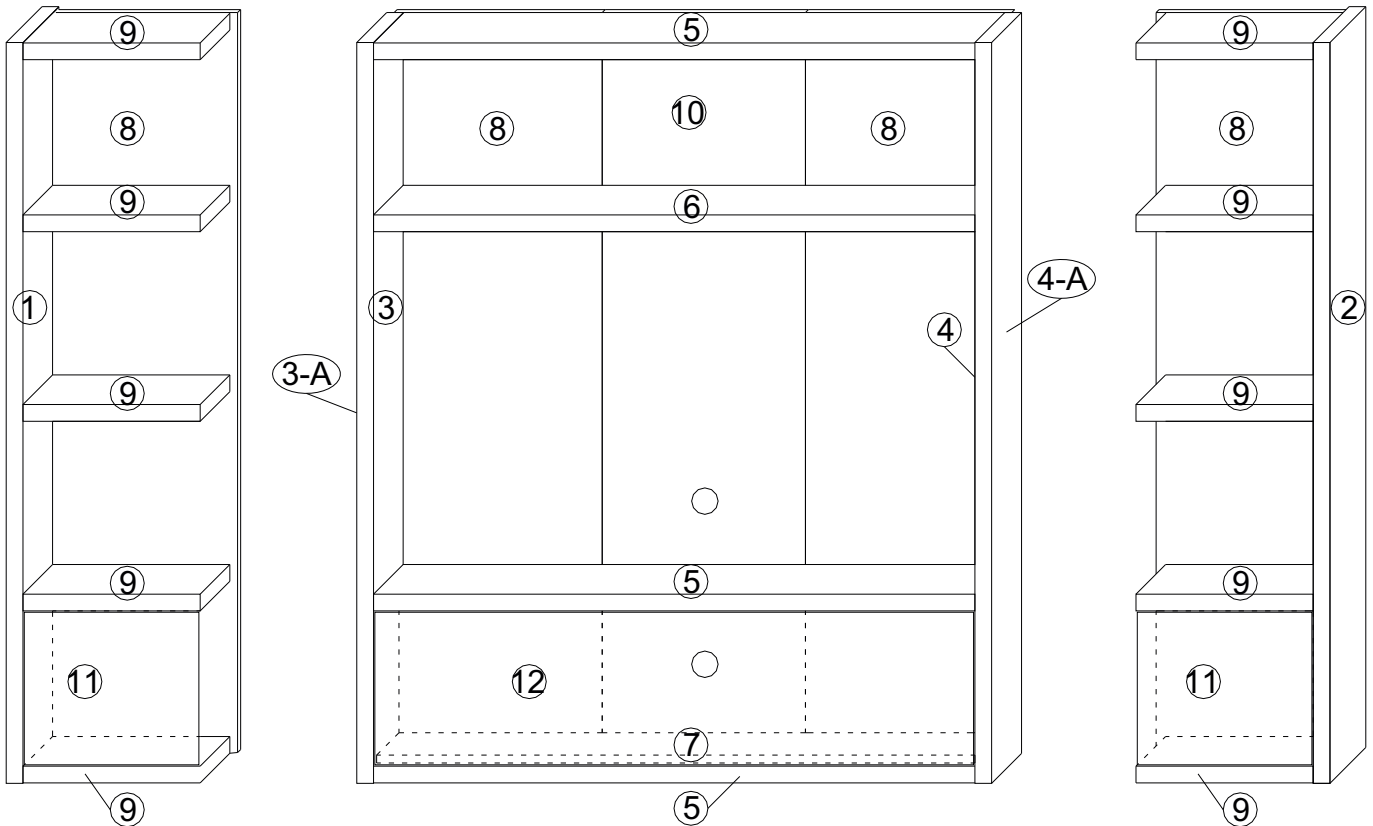
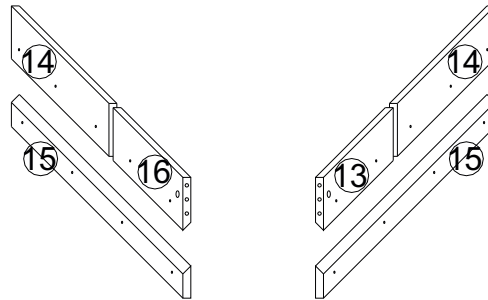
MORSANO



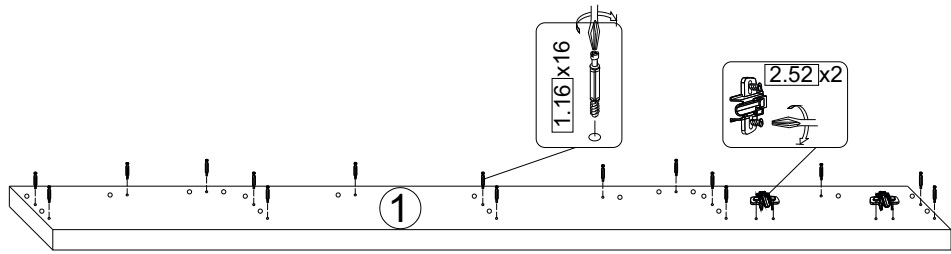


Nº	LENGHT	WIDTH	QTY
3	1680*	192**	1
4	1680*	192**	1
9	402*	190	10
1	1680**	228**	1
2	1680**	228**	1
12	346**	1358**	1
6	1364*	190	1
5	1364*	190	3
8	1678**	420**	4
10	1678**	560**	1
11	346**	396**	2
7	1364*	168	1
14	640	120	4
15	1064	73	4
16	420	120	2
13	420	120	2

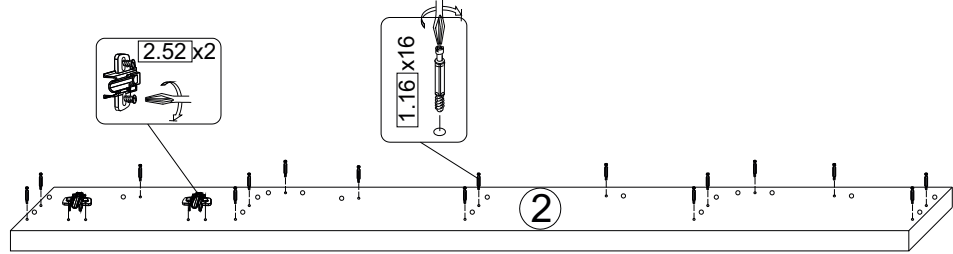
1.16  711050229 x68	1.17  711050229 x84	1.56 67mm  711050231 x8	1.6 3 mm  711050138 x1	1.7 6.3x50mm  711050120 x21	1.30  711050136 x55
	1.92  711050461 x2		1.47  000000000 x4	2.52 D=5mm  711050013 x4	3.77  000000000 x3
3.43 3.5x40mm  000000000 x4	3.44 5x70mm  711050657 x21	1.14  711050067 x90	3.46 3x16mm  000000000 x32	1.50  711050654 x3	1.97 6.3x11mm  711050430 x9



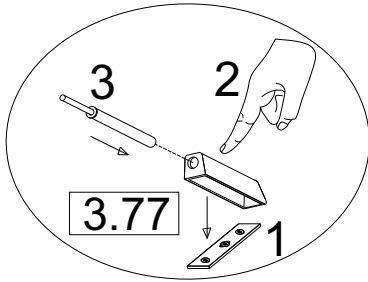
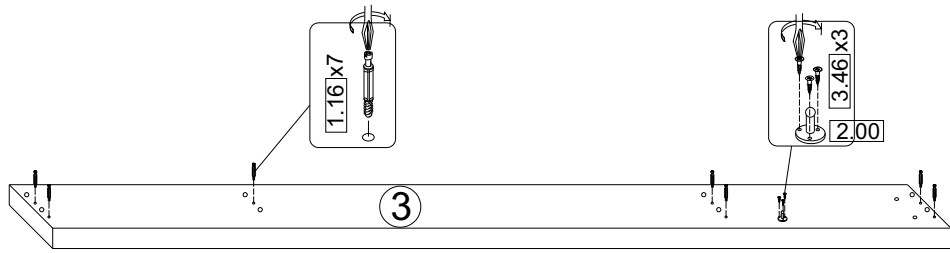
1



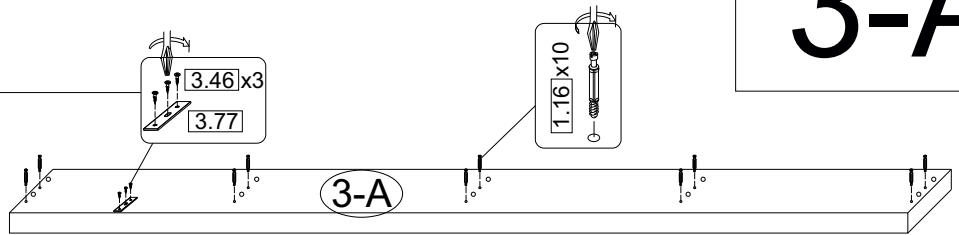
2



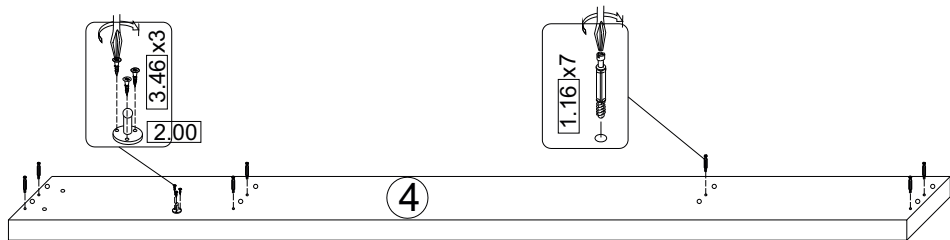
3



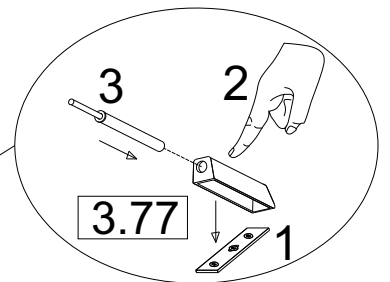
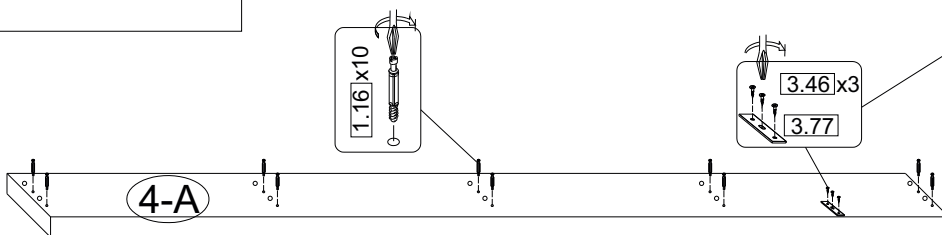
3-A



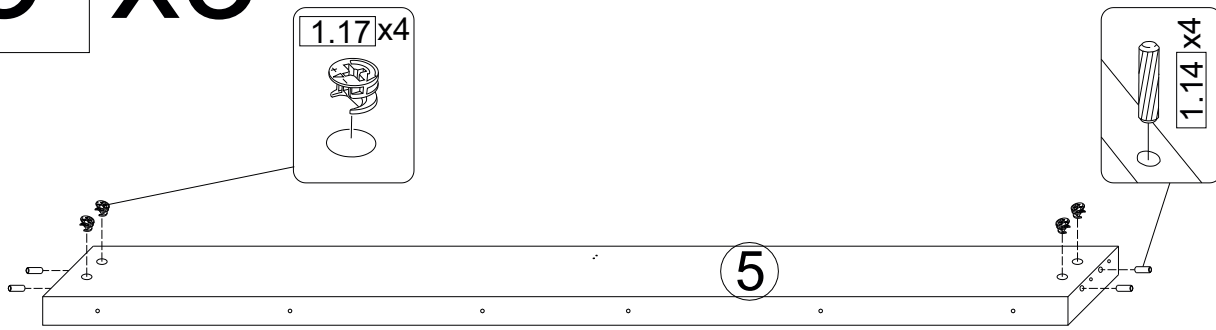
4



4-A



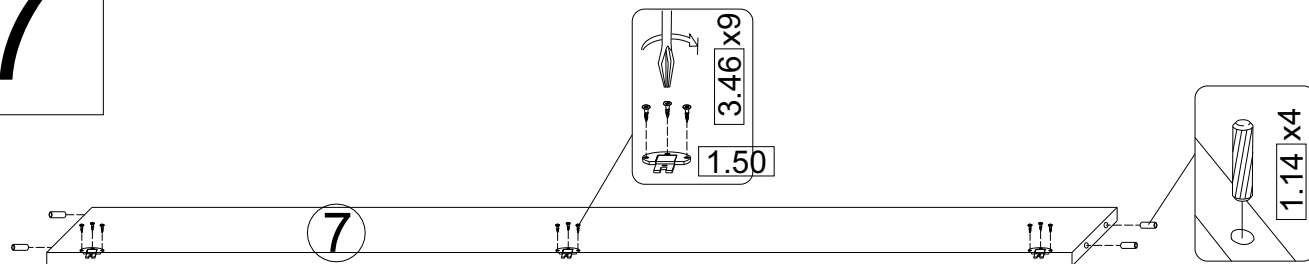
5 x3



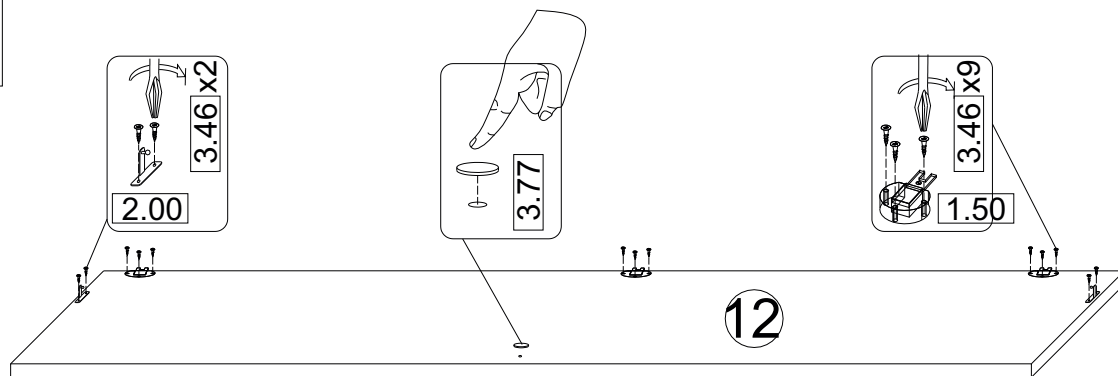
6



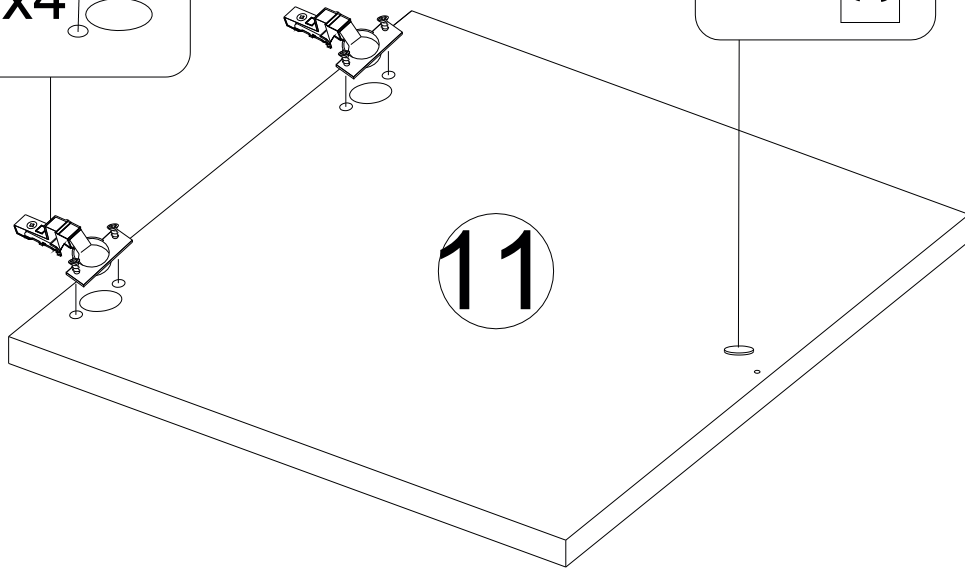
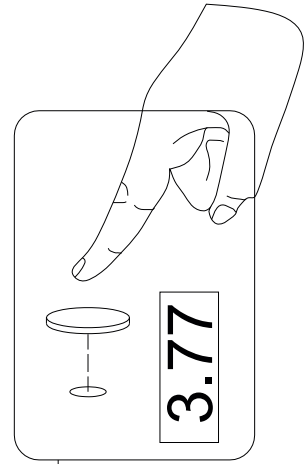
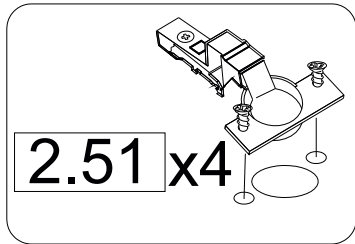
7



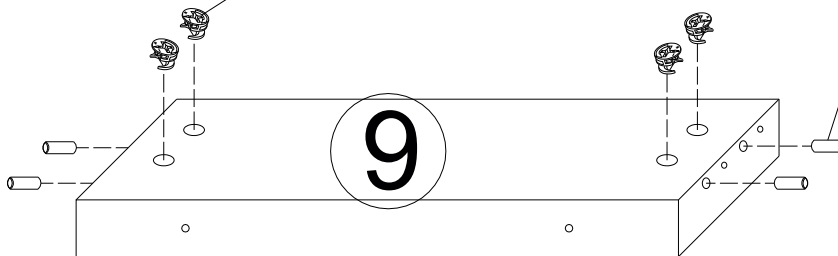
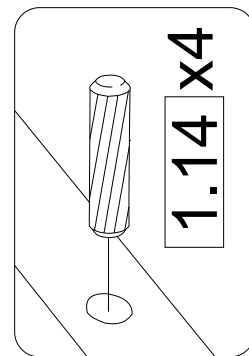
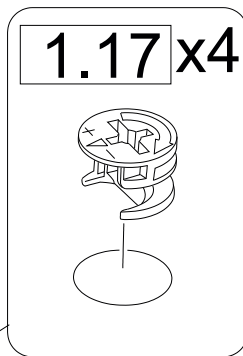
8



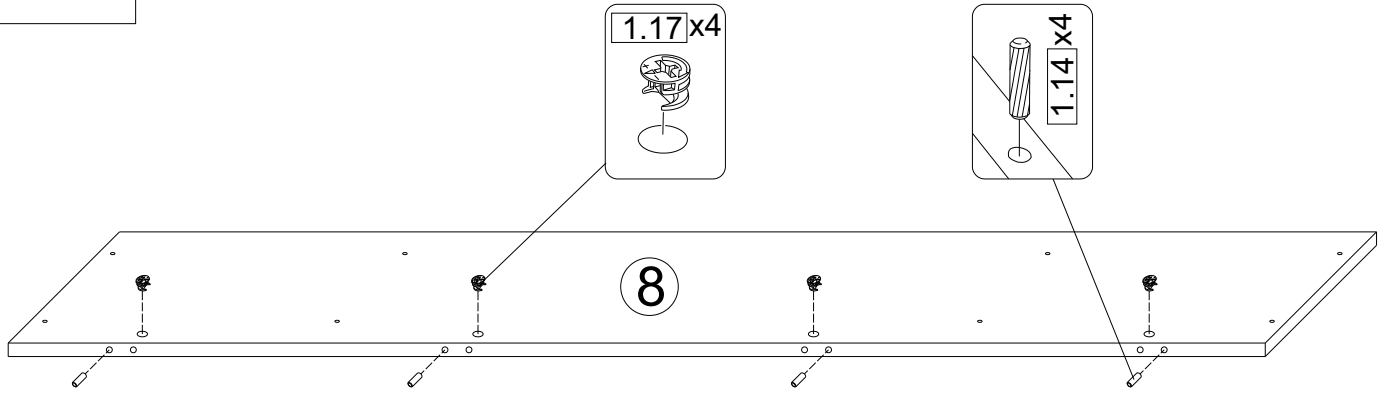
9 x2



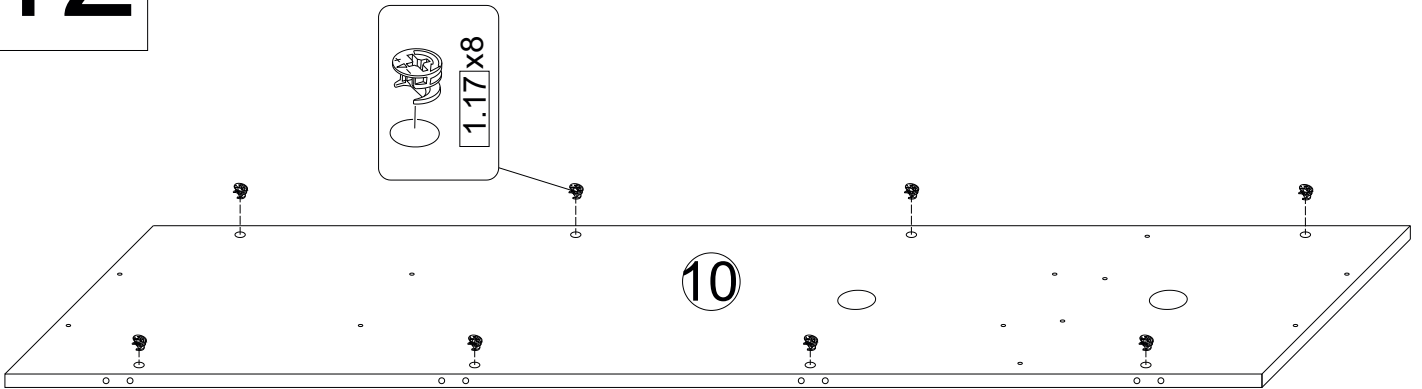
10 x10



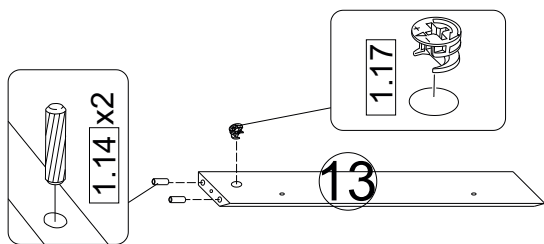
11 x4



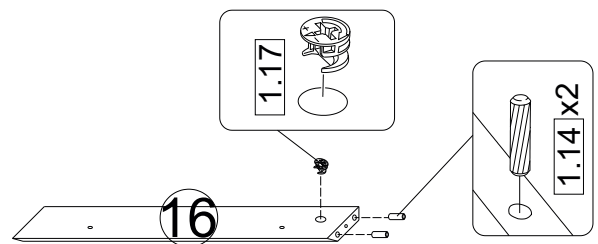
12



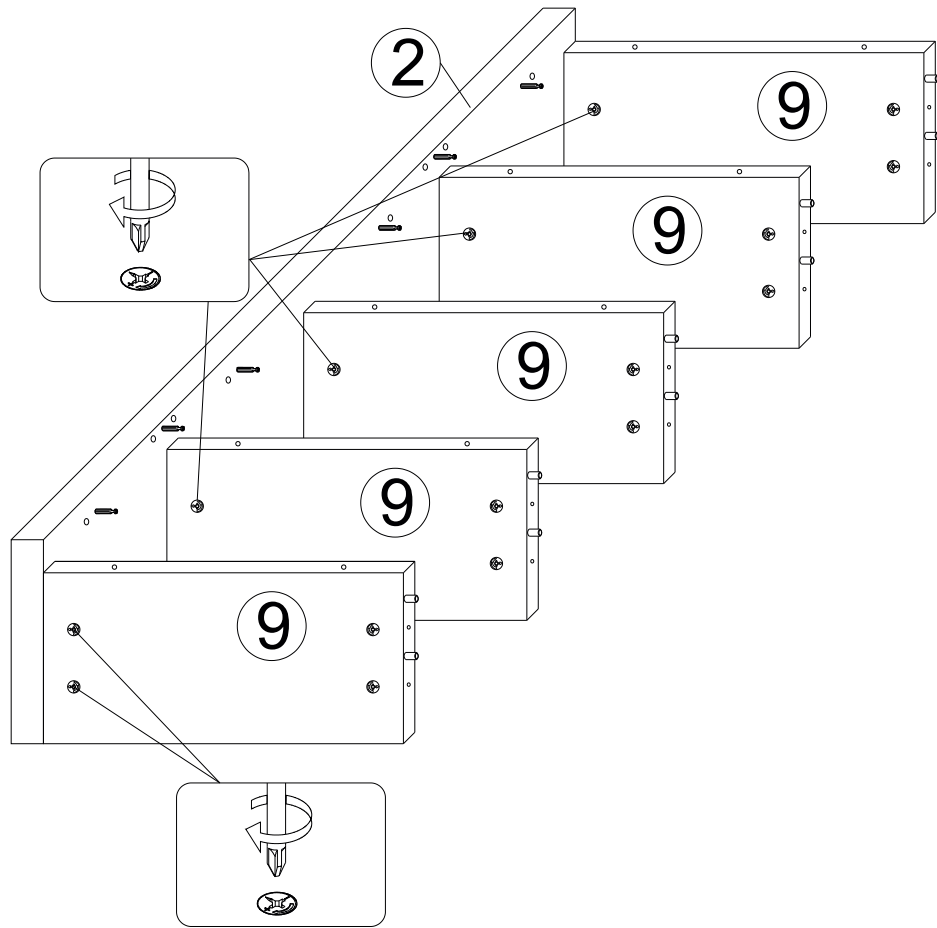
13 x2



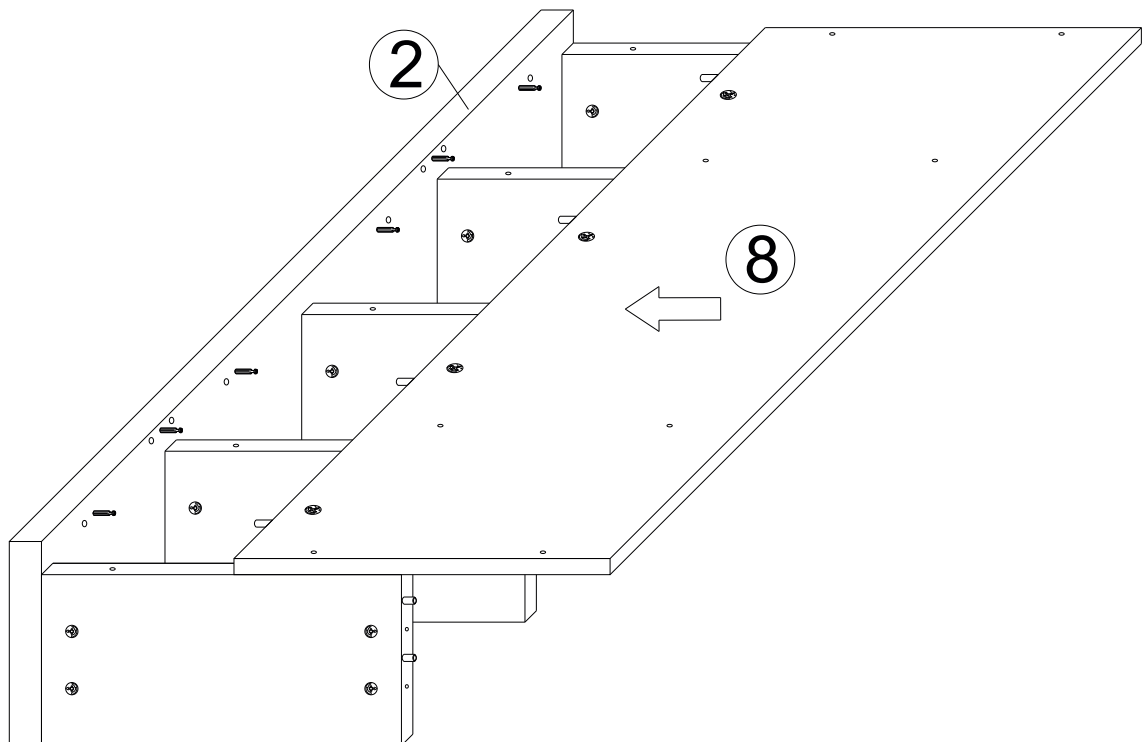
14 x2



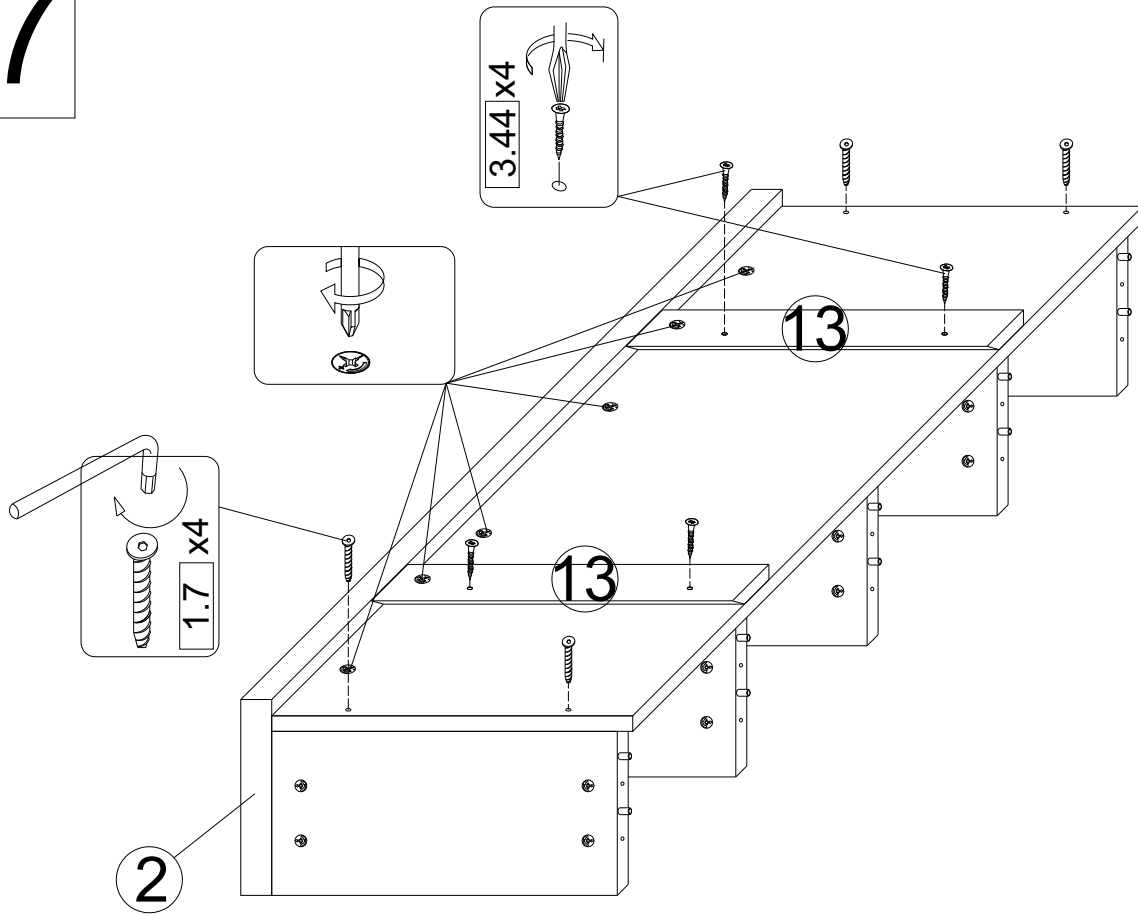
15



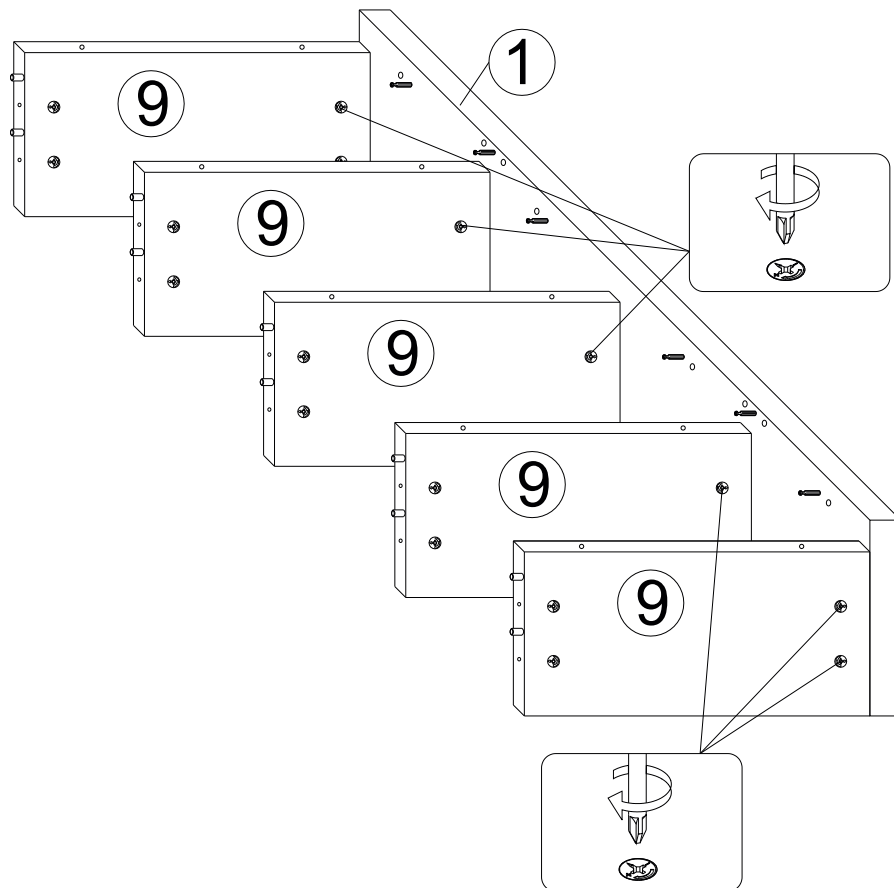
16



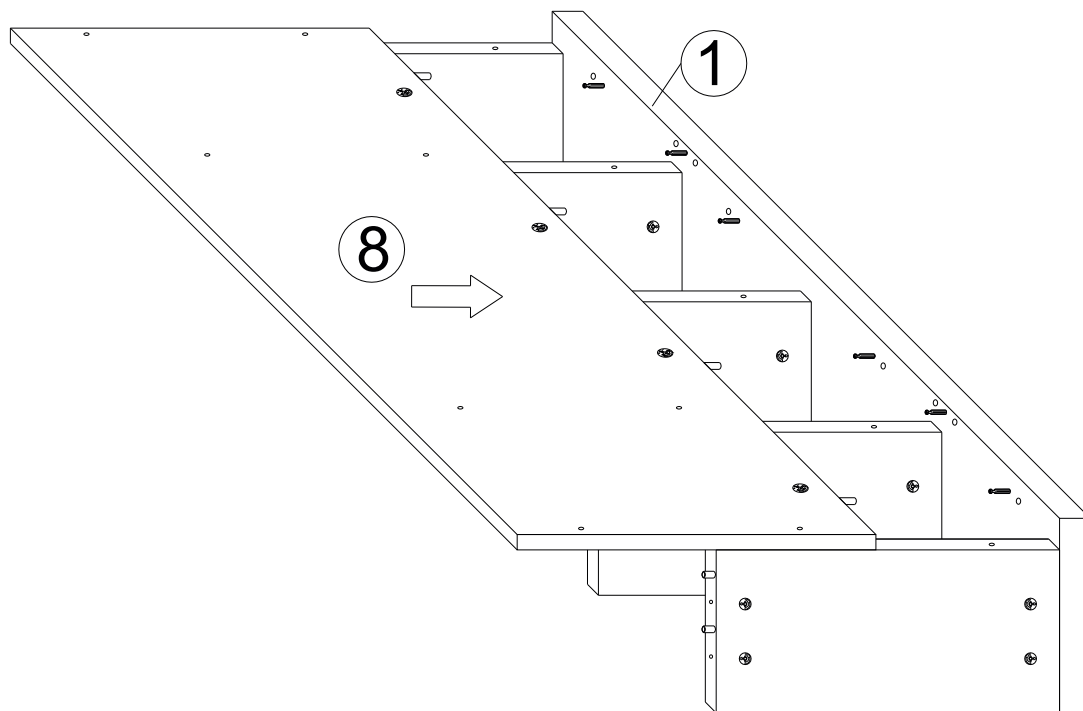
17



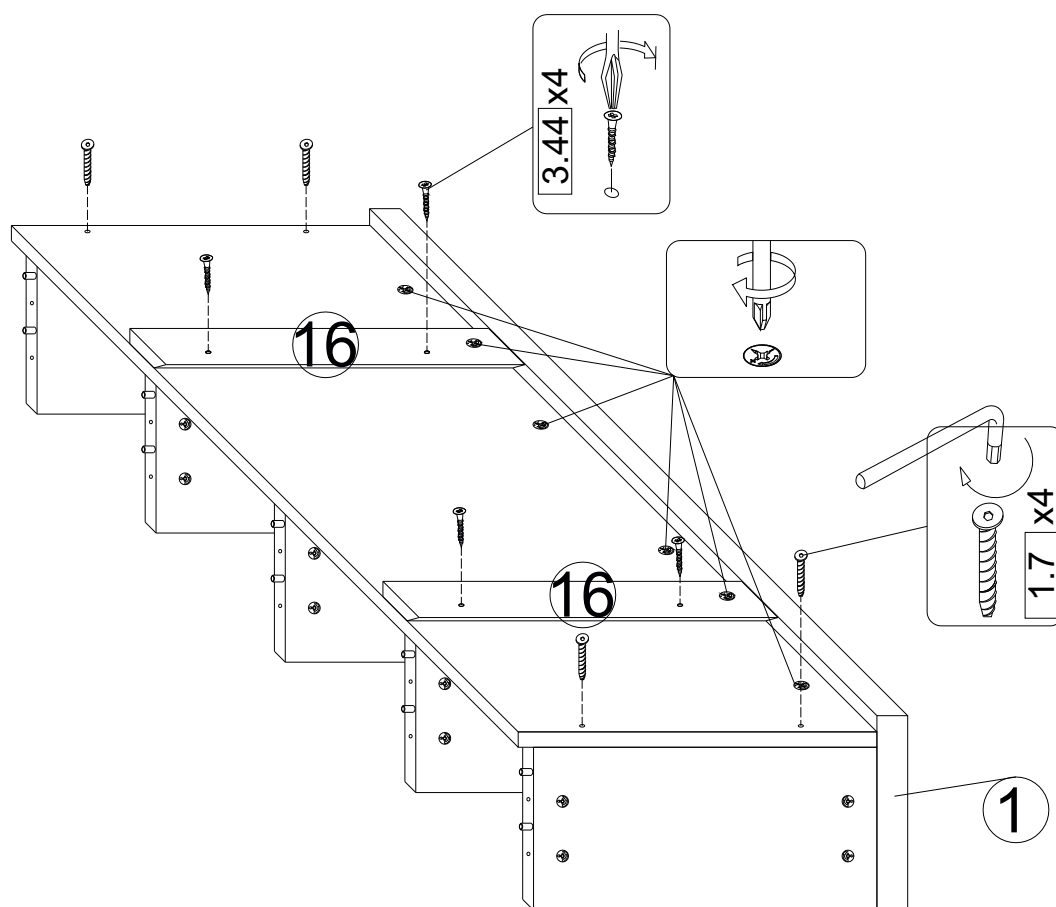
18



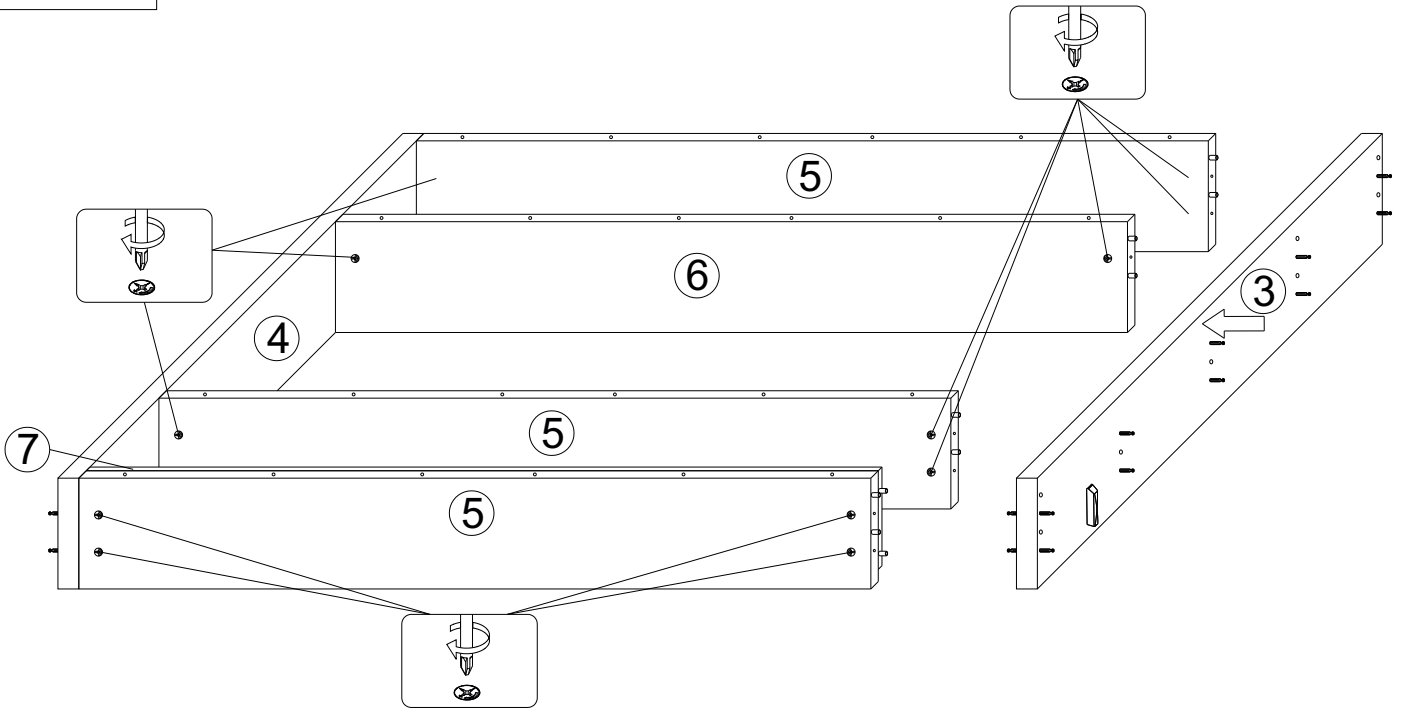
19



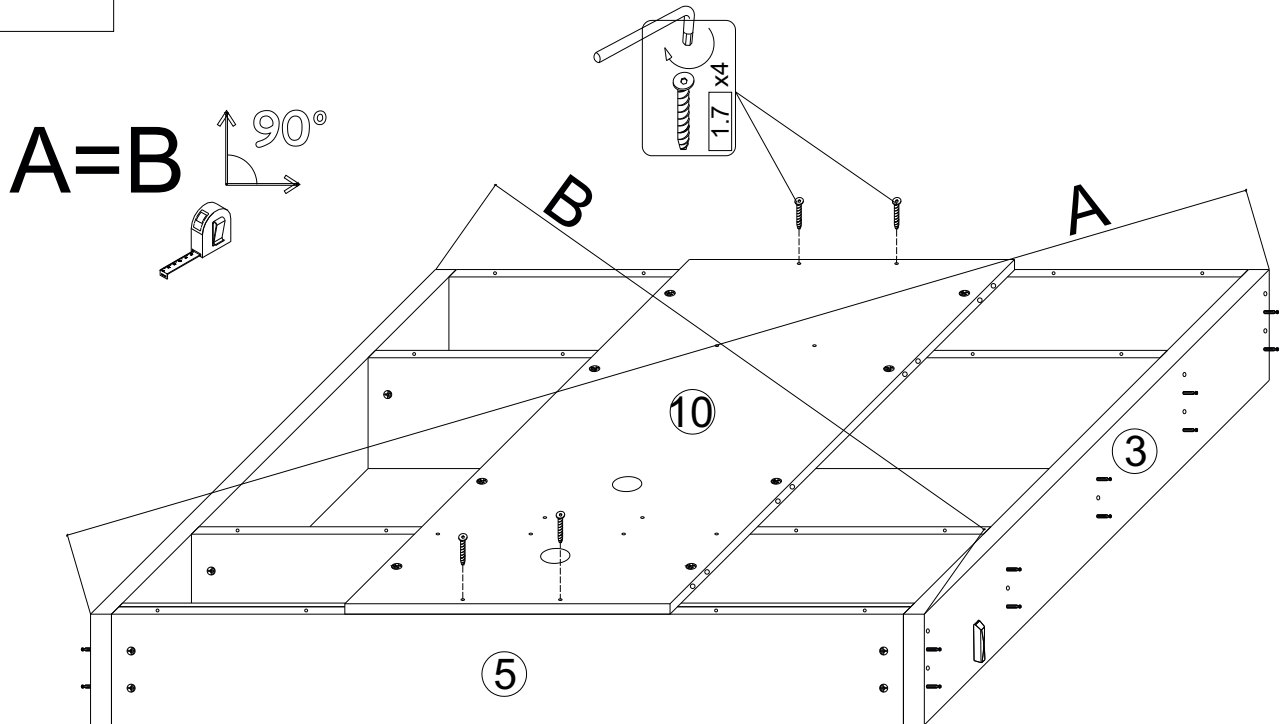
20



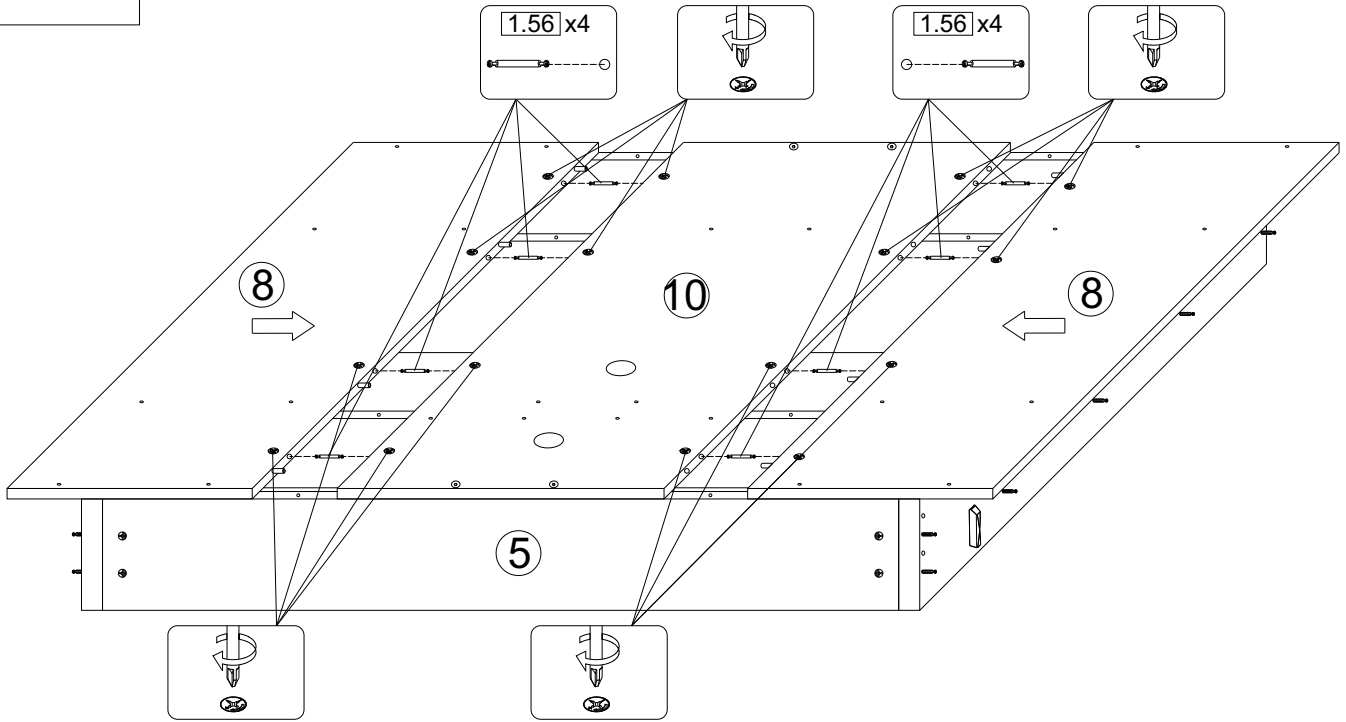
21



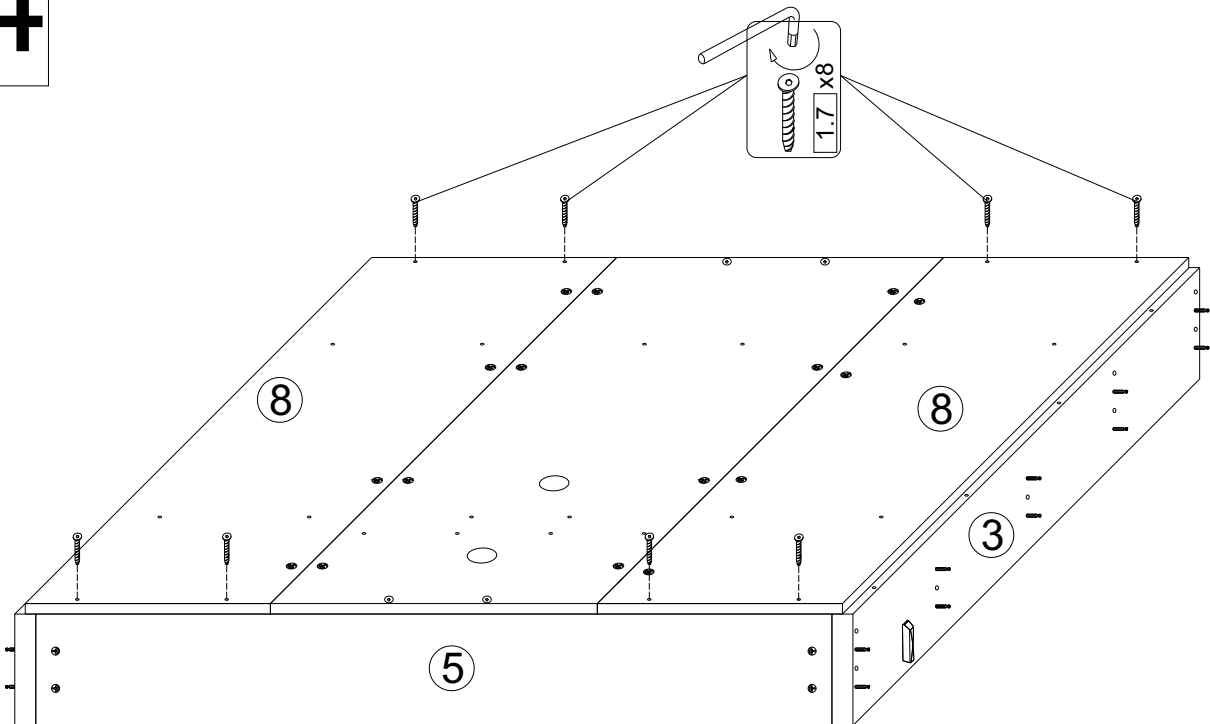
22



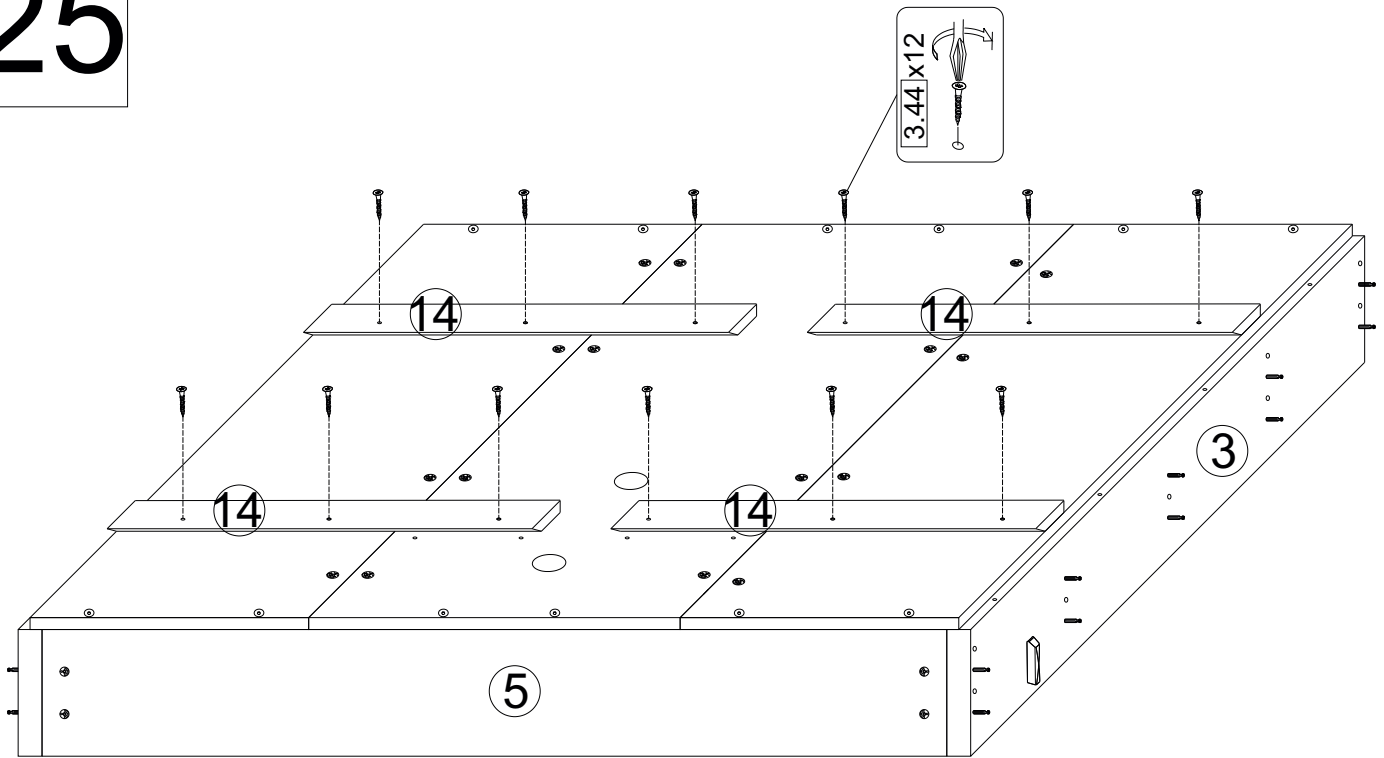
23



24

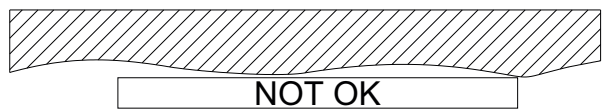
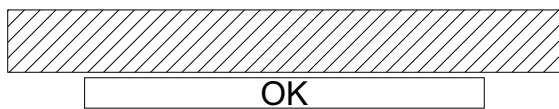


25



26

! First check wall straightness !



When not OK, fill out the wooden mounting strips!!!

GB Urgent advice:

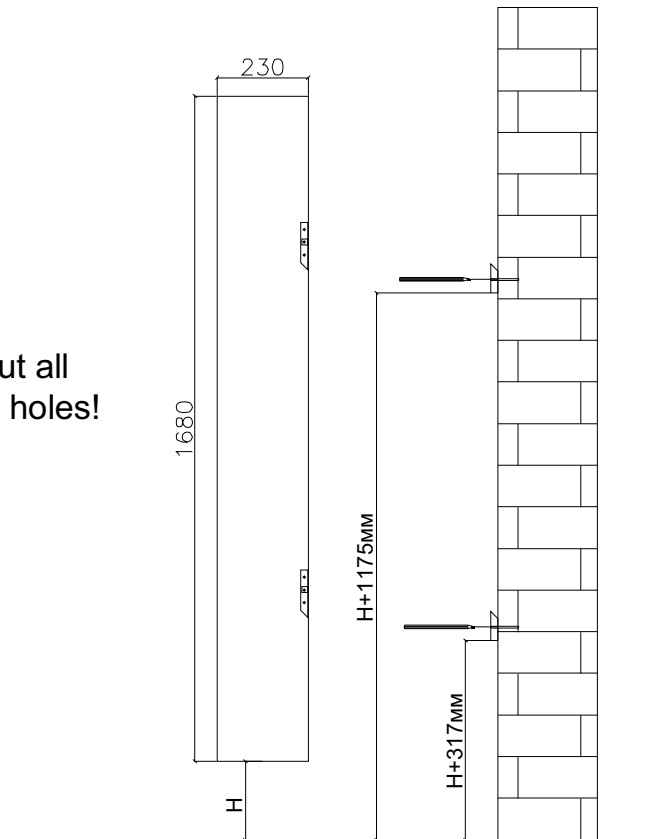
Warning !!! Plugs and screws for mounting

the cabinet to the wall, are not included because the kind of plugs and screws you need is depending on the type of wall. We recommend to buy it from your local hardware store and ask for advice if necessary. After drawing and drilling (with the right drill)

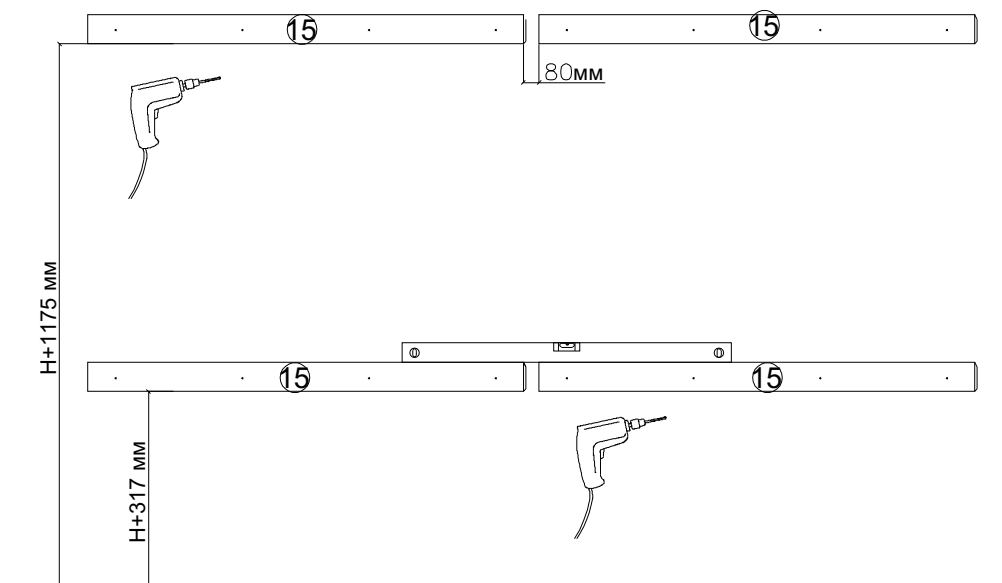
Important Information: The screws should be 2cm longer than the wall plugs used!

Step 1 - we choose our installation height

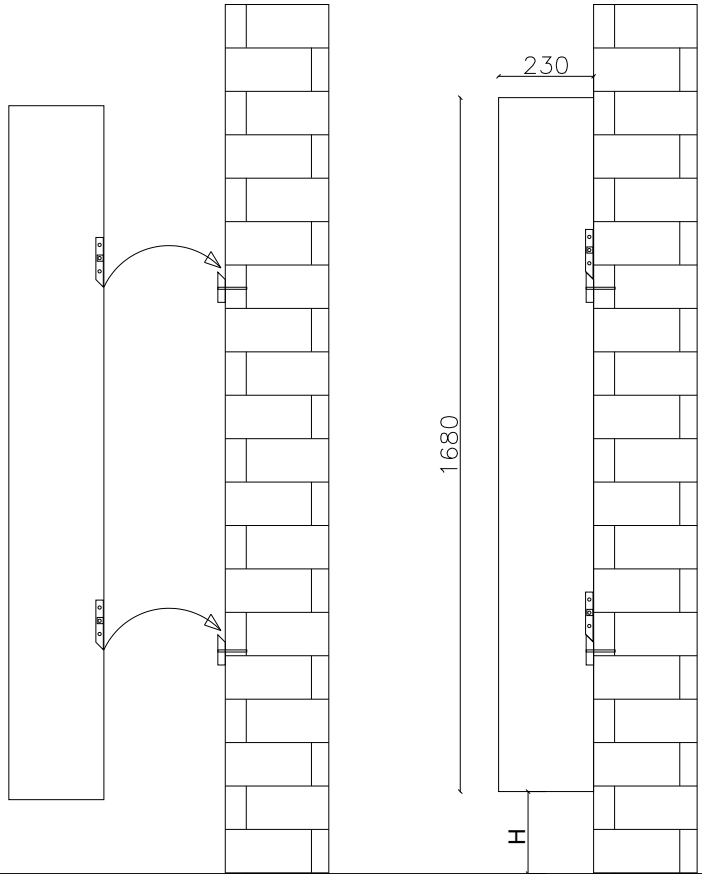
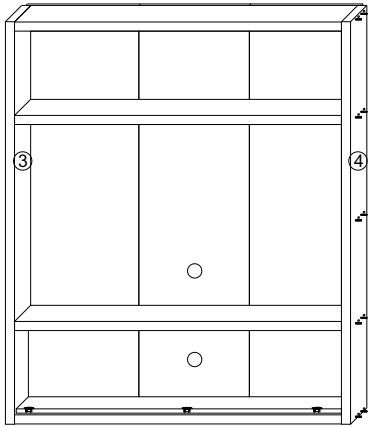
Before hanging on the wall, put all necessary cables through the holes!



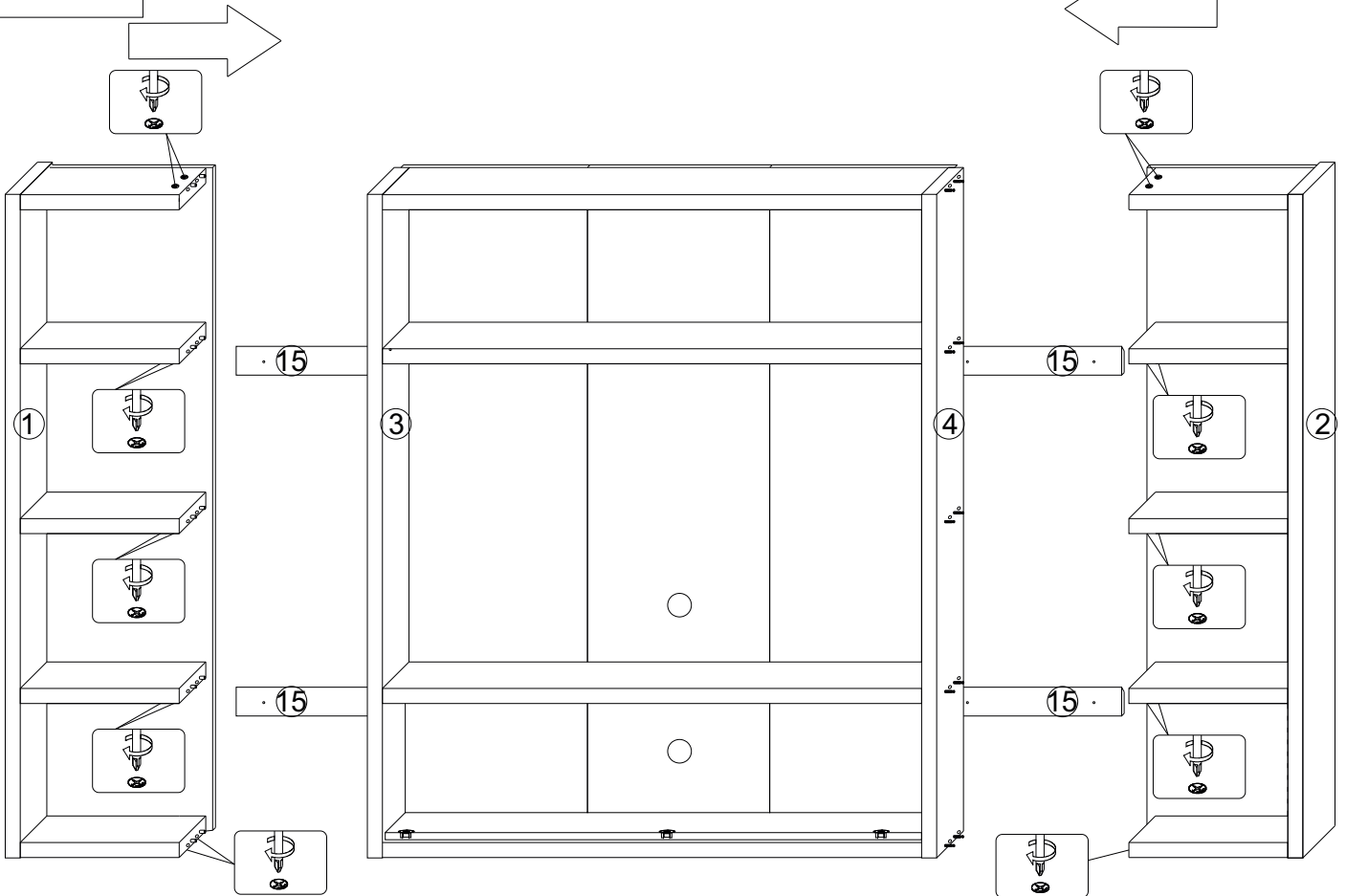
Step 2 - Precise holes for wall fixing

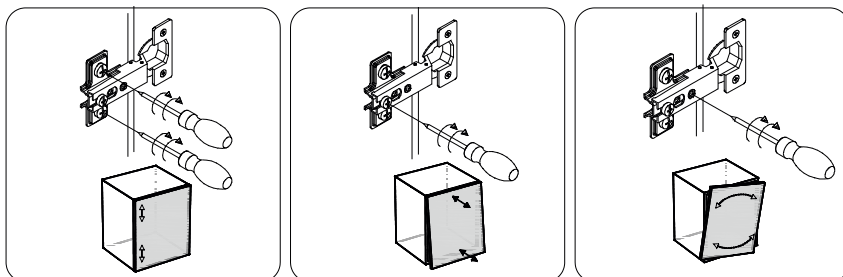
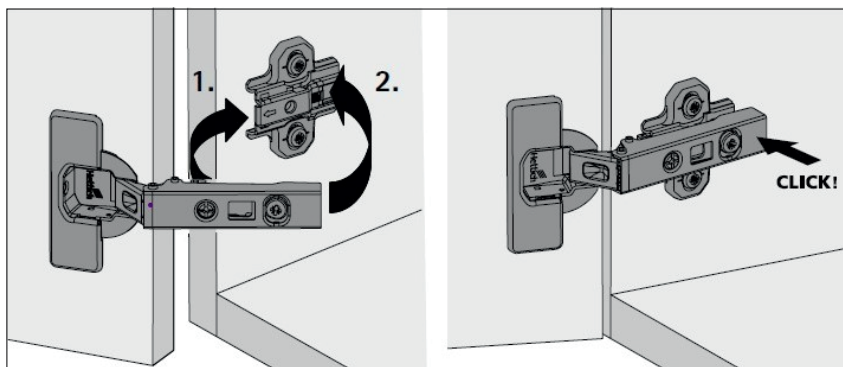
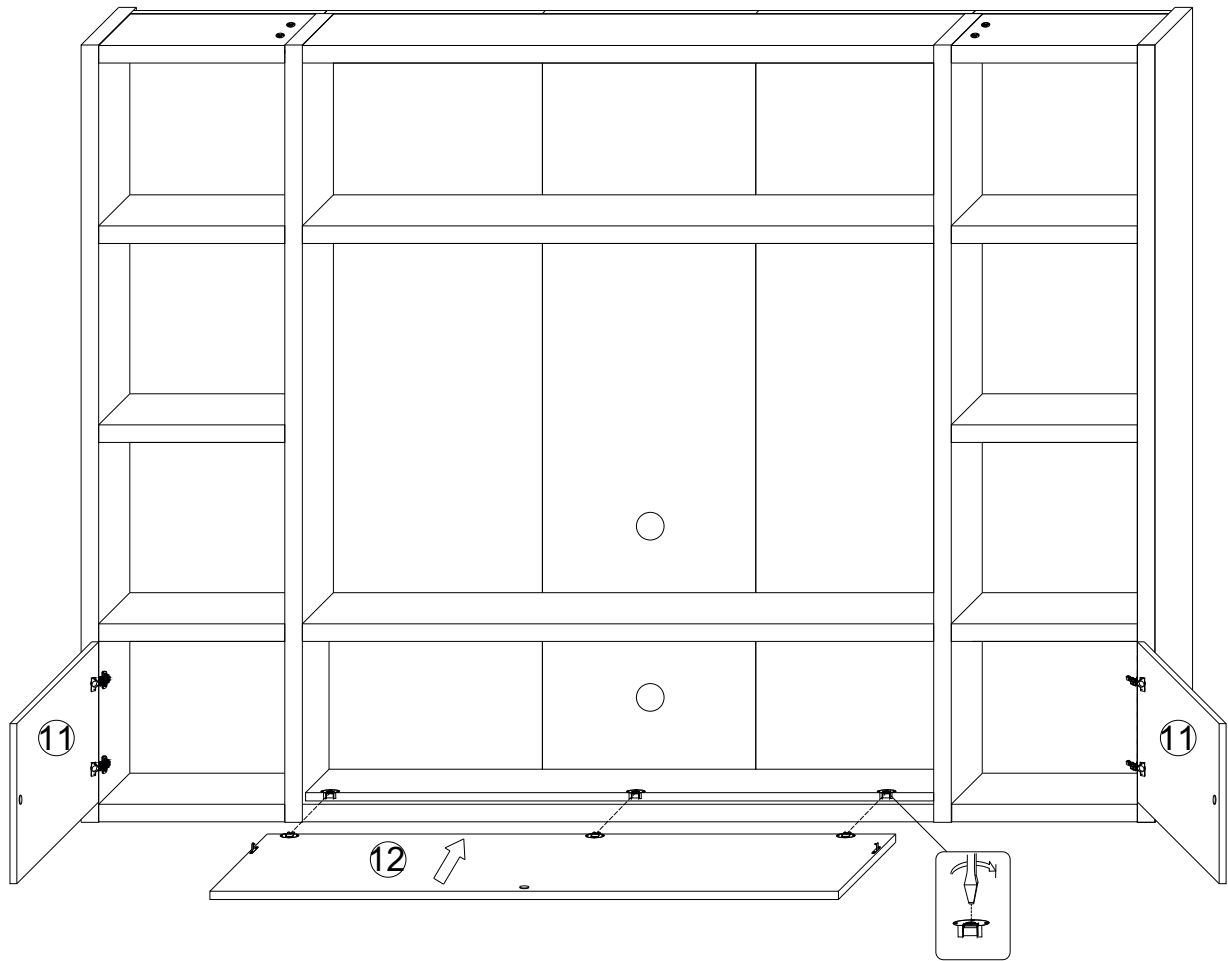


28

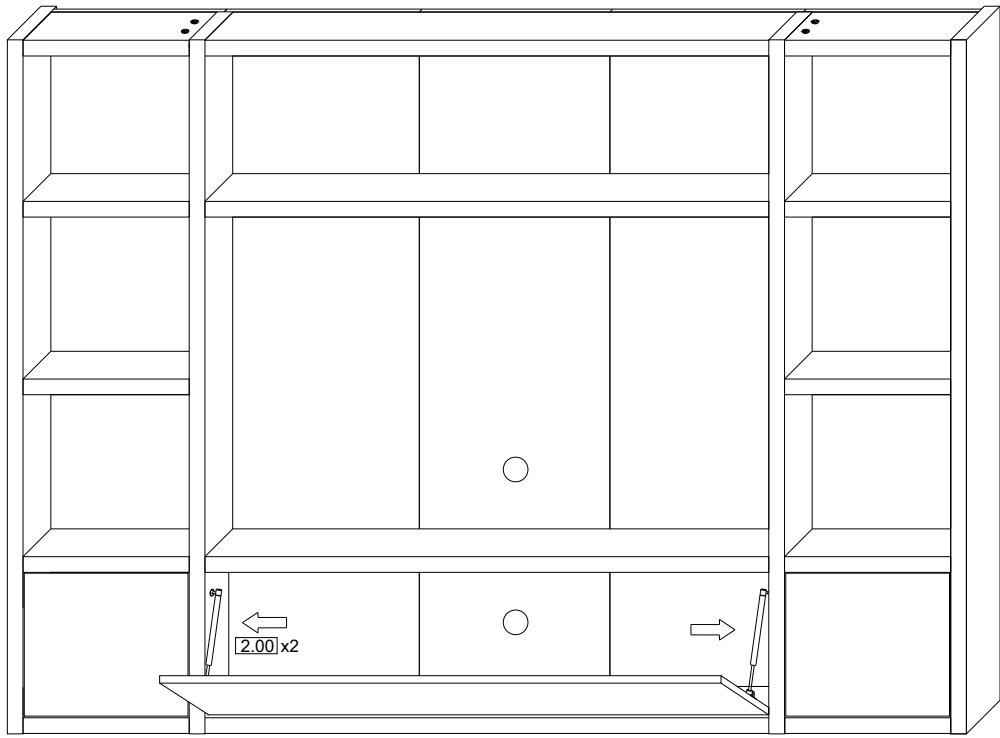


29





31



32

Step 3 After hanging the cabinet on the wall, screw 4 screws in the indicated points for safety purposes !!!

