






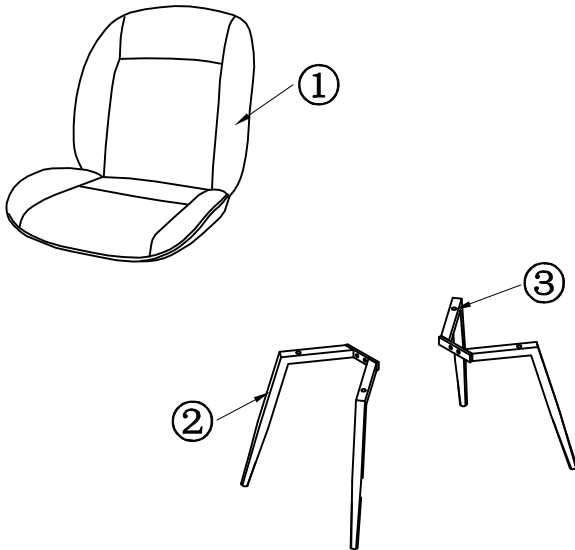
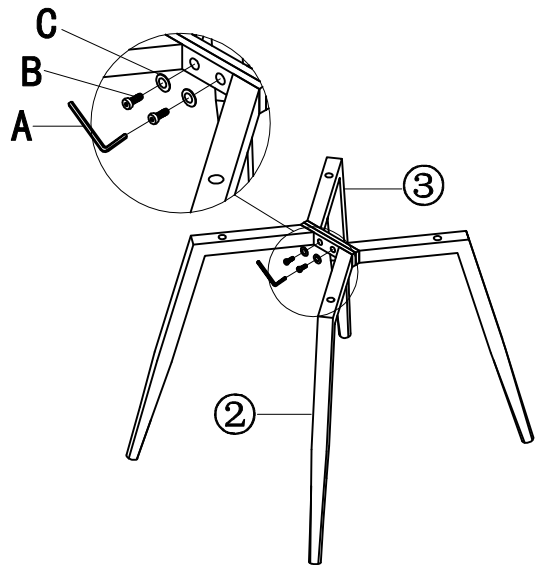
	<p><b>A</b></p>  <p>5mm 1x</p>	<p><b>B</b></p>  <p>M6x20 2x</p>	<p><b>C</b></p>  <p>M6 6x</p>
<p><b>D</b></p>  <p>M6x35 4x</p>	<p>①</p>  <p>1x</p>	<p>②</p>  <p>1x</p>	<p>③</p>  <p>1x</p>

## STEP 1



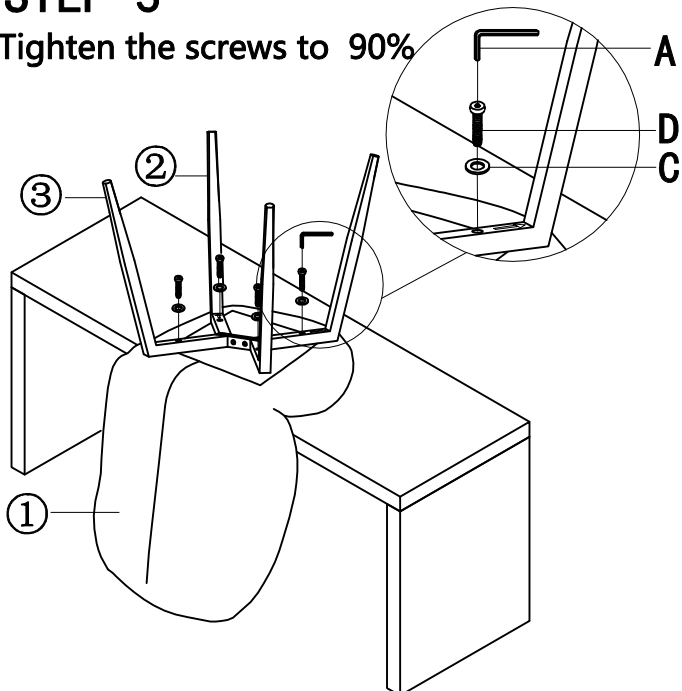
## STEP 2

Tighten the screws to 90%



## STEP 3

Tighten the screws to 90%



## STEP 4

Place the chair on flat surface and tighten the screws 100%

