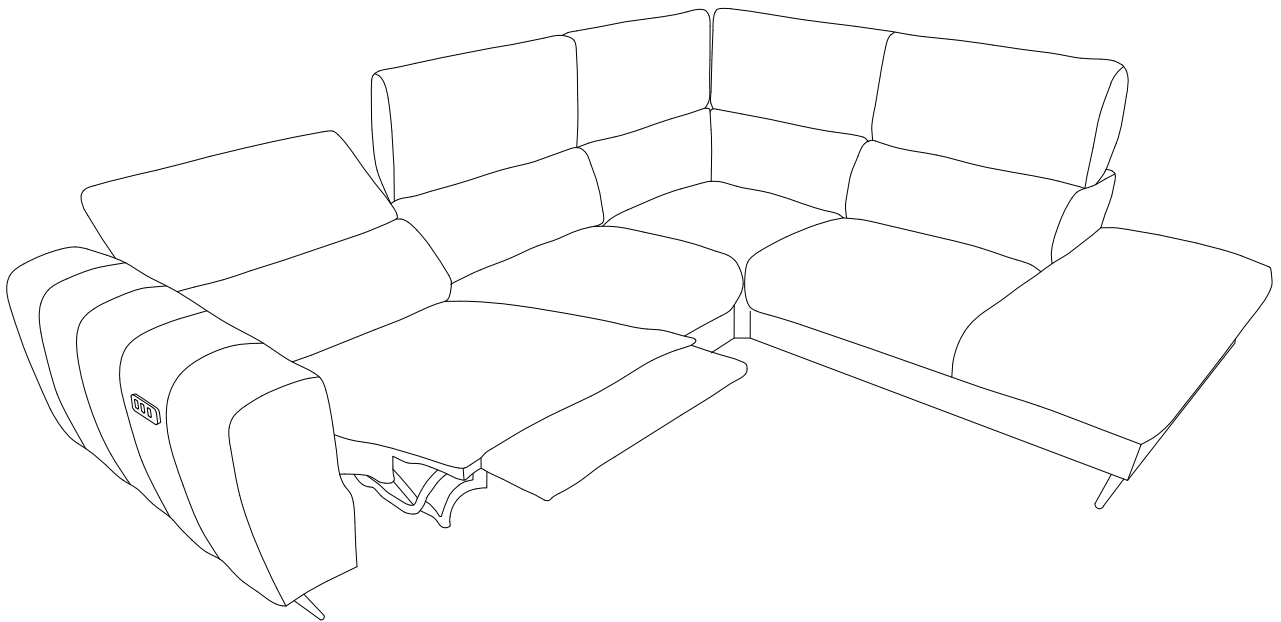




# Model Alunda

## Montagehandleiding

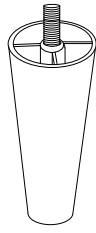


# CFV-CO-HJXH

LEGS



A x 4



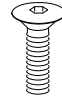
B x 6

0R6K



D x 1

03-000587



E x 2

WSI M6x20

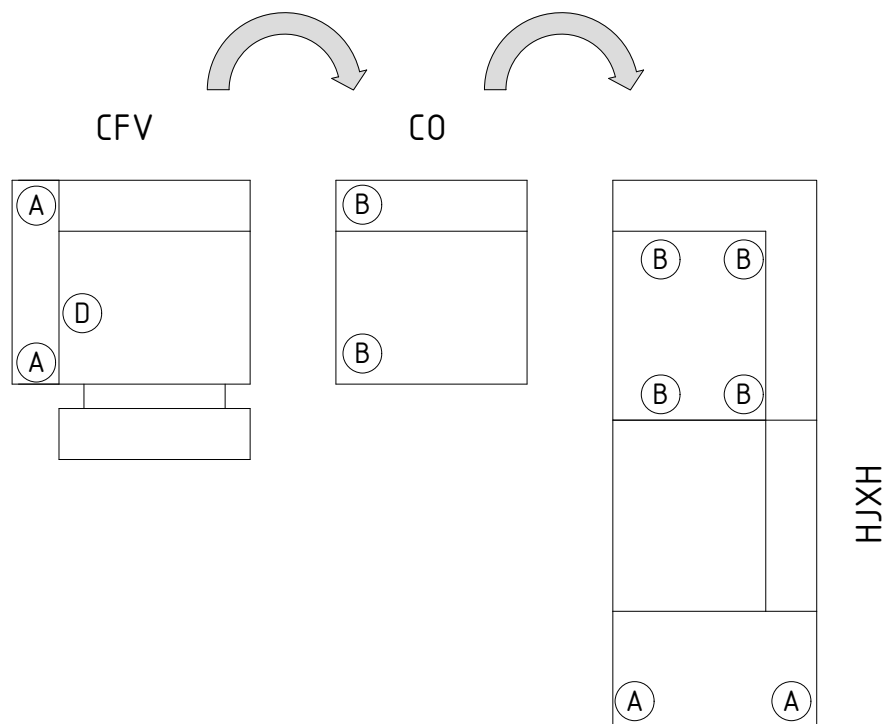
05-000824



F x 1

L4

05-001139



# Assembly Legs A

POD 35  
05-002209  
x1

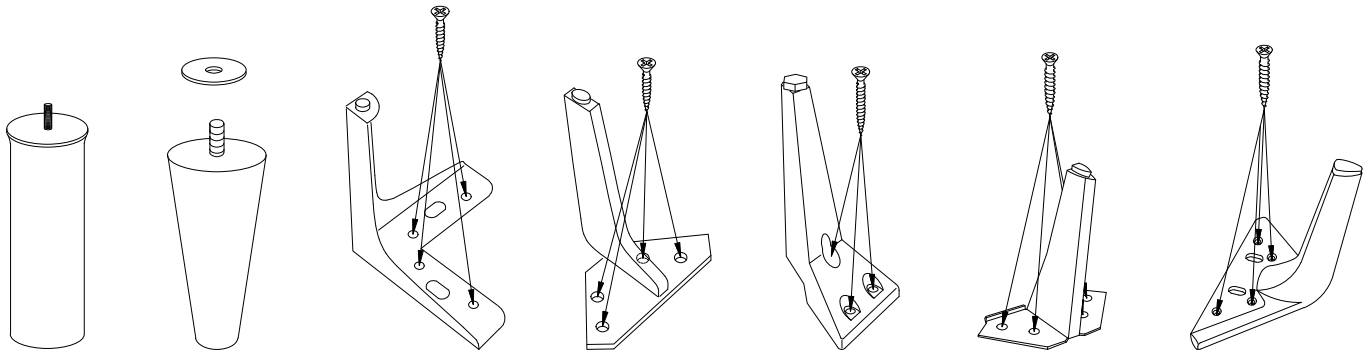
5,0x25  
05-001064  
x 4

5,0x25  
05-001064  
x 4

5,0x40  
05-000748  
x 3

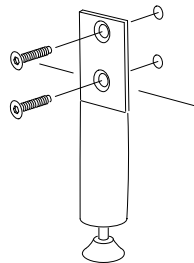
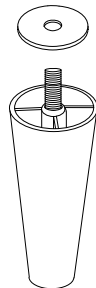
5,0x25  
05-001064  
x4

5,0x25  
05-001064  
x4

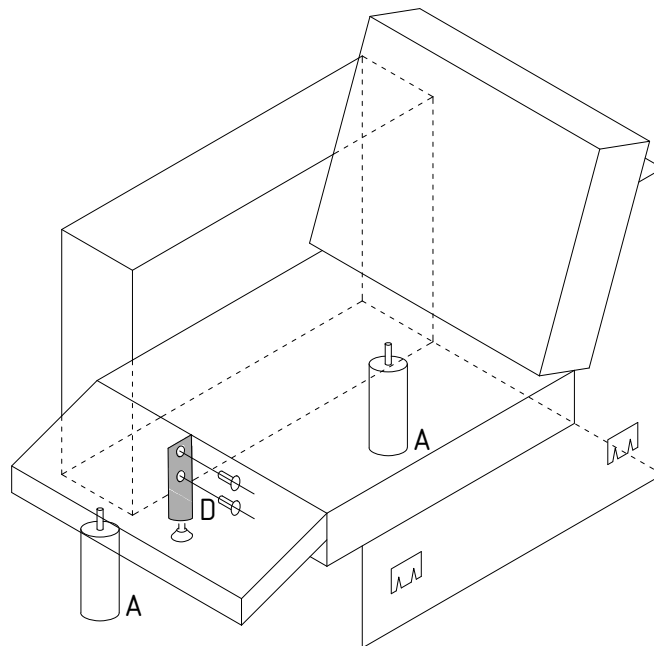


## Assembly Legs B

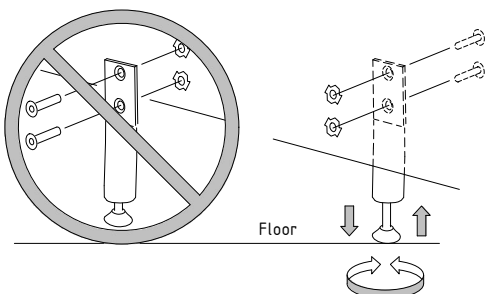
## Assembly Legs C



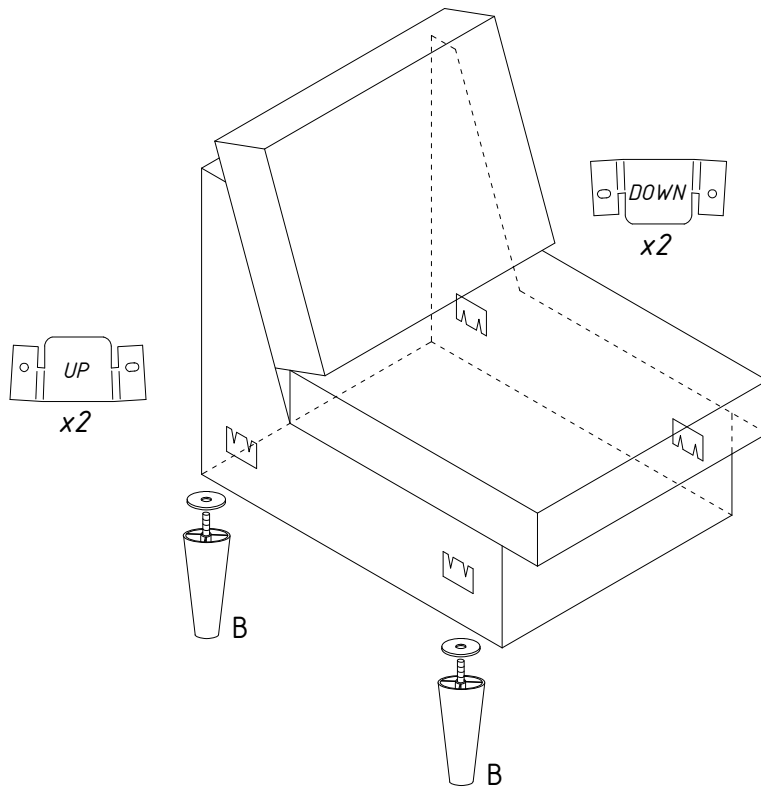
## 1st CFV




DOWN  
x2

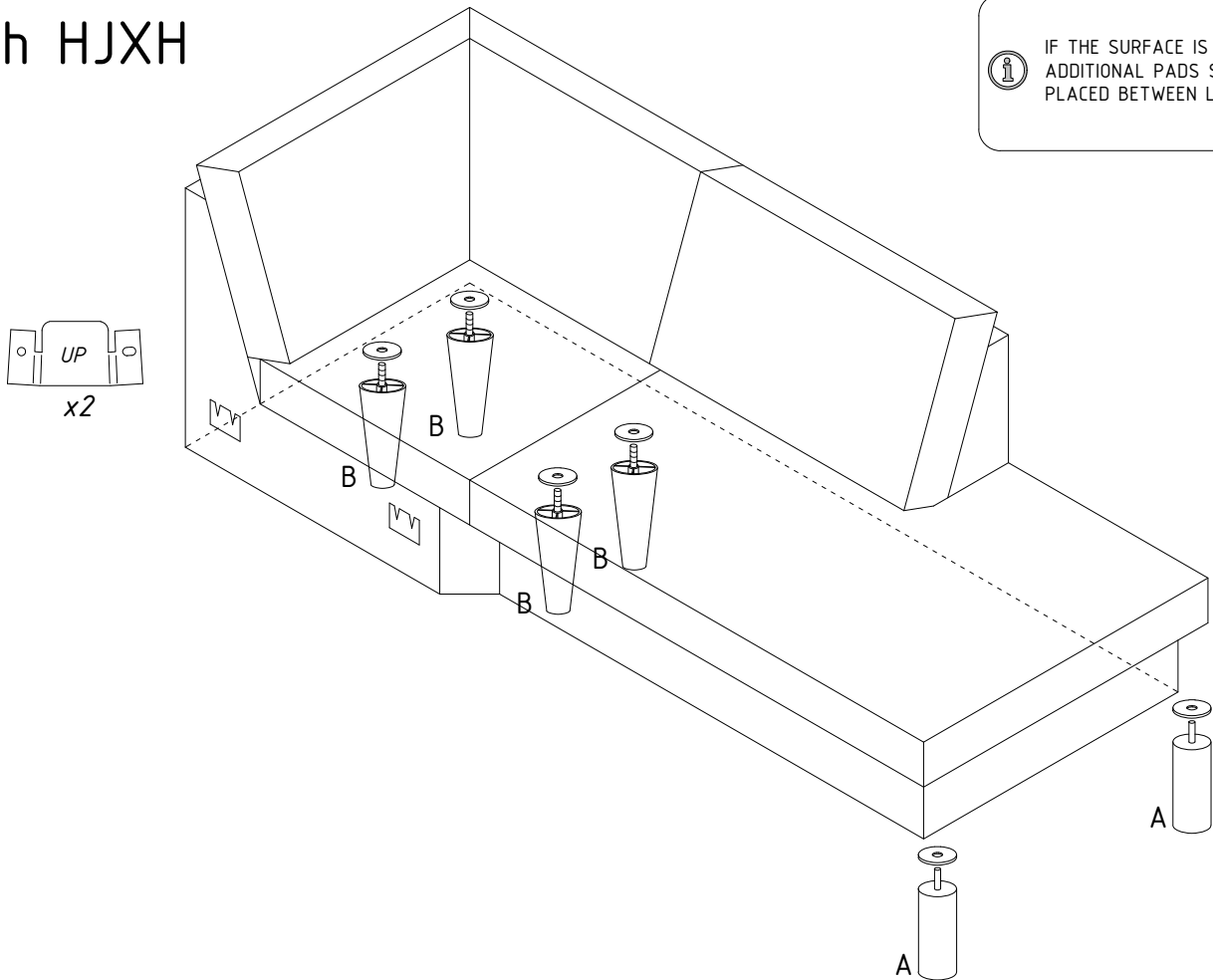


# 2nd CO



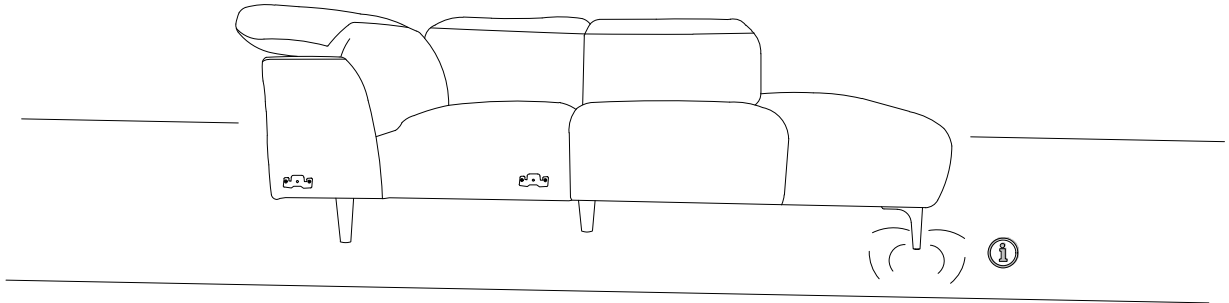
# 3th HJXH

 IF THE SURFACE IS UNEVEN  
ADDITIONAL PADS SHOULD BE  
PLACED BETWEEN LEG AND SOFA





x 3  
POD 35  
05-002209



IF THE SURFACE IS UNEVEN  
ADDITIONAL PADS SHOULD BE  
PLACED BETWEEN LEG AND SOFA

